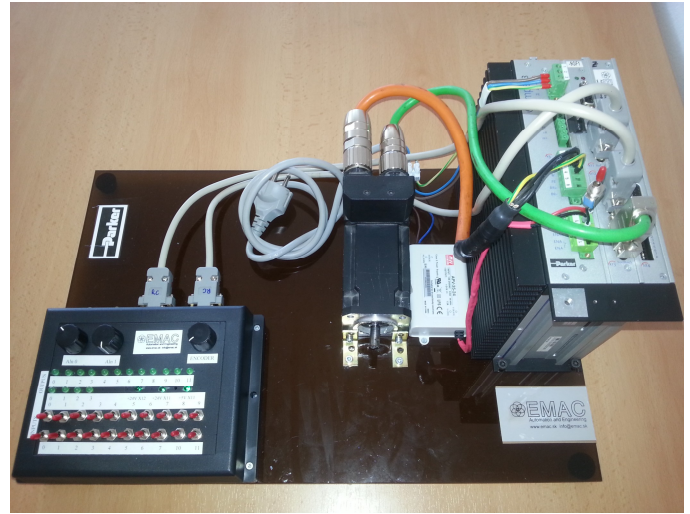
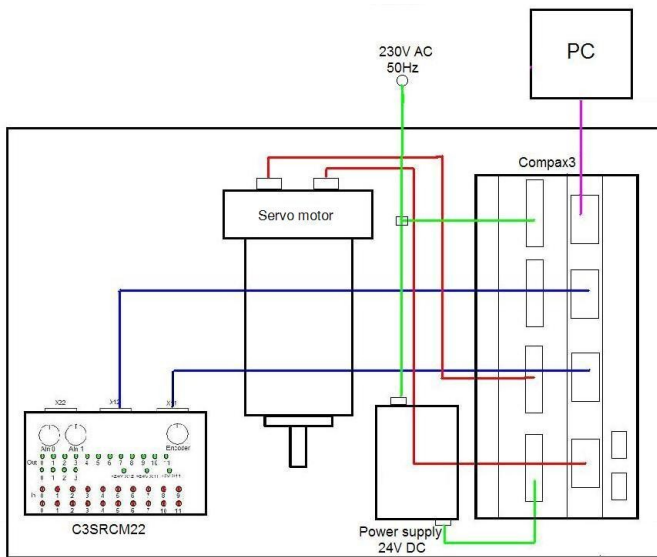


C3S-Demo

The C3S-Demo is used mainly for getting to know with the servo driver Compax3. The C3S-Demo is suitable for a training purposes. The Compax3 is a servo driver designed to control rotation speed and control position. The C3S-Demo allows manual operation by the C3S-RC-M22 with possibility connecting a PC.



List of items and parameters C3S-Demo

Description	Order code
Remote controller	C3S-RC-M22
Servo driver	C3S025V2F10I11T40M00
Servo motor	SMH606001.4892ID654
Power supply 24VDC	563421
Power cable	MOK55/01
Feedback cable	REK 42/01
Weight (kg): 6,6	
Size (mm): 490x320x250	
Power supply: 230VAC, 50Hz	

Description remote controller C3S-RC-M22
Power supply: +24VDC, 1,5ADC
Inputs X11: 2x Potentiometer ± 10 VDC 1x Encoder +5VDC
Digital I/O X12 8x Digital inputs 4x Digital outputs
Digital I/O X22

Price: 1990 EUR

Lead Time: 3 weeks

Contact

EMAC s.r.o

Soblahovská 2050

911 01 Trenčín

SLOVAKIA

Tel: +421 32 3810 232

E-mail: info@emac.sk

Web: www.emac.sk